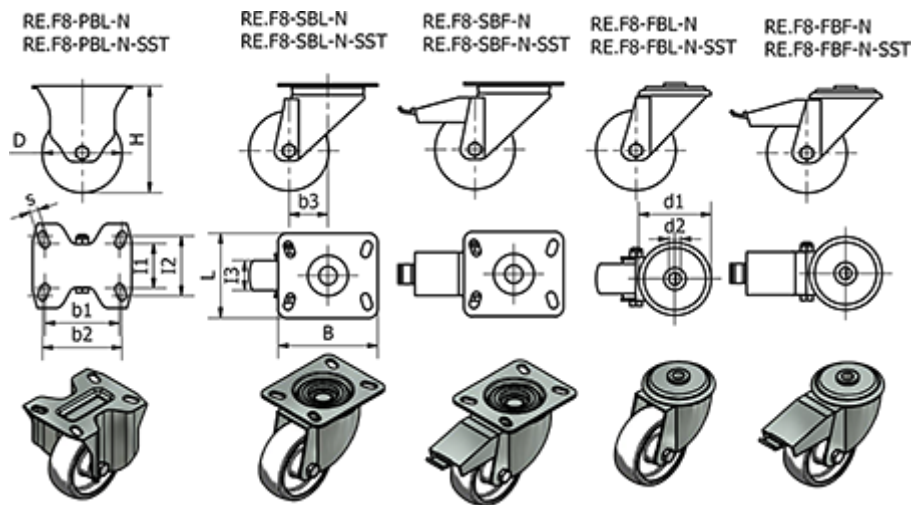


Article number: 2314450861

Description: E+G polyamide wheel

RE.F8-125-FBL-N-SST - Turning plate wo/brake in Stainless steel

Measures



= -	d2	= 12	Rolling resistance (N) = 2000
B =	Dynamic carrying capacity (N) = 2200		s =
b1 =	H	= 156	Type = RE.F8-125-FBL-N-SS
b2 =	l1	=	Wight (g) = 790
b3 = 37	l2	=	
Code = 450861	l3	= 38	
D = 125	L	=	
d1 = 73	R	= -	